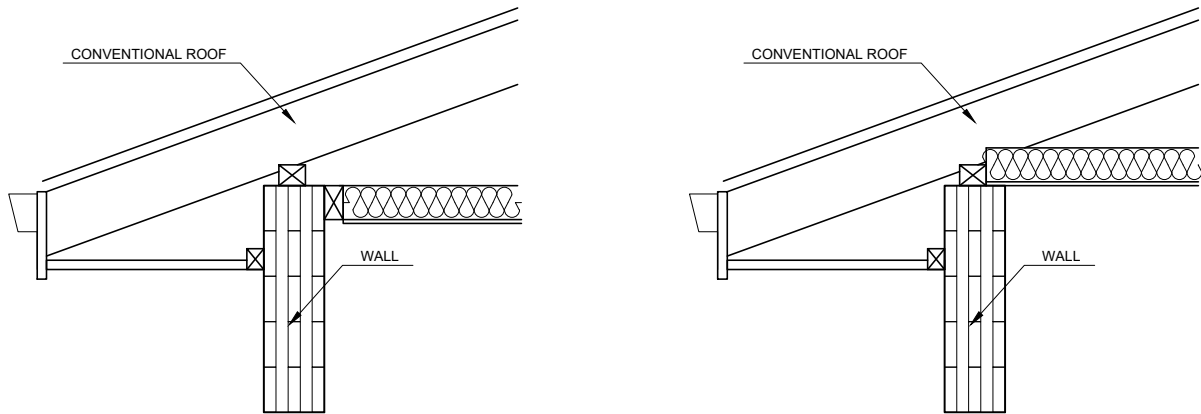


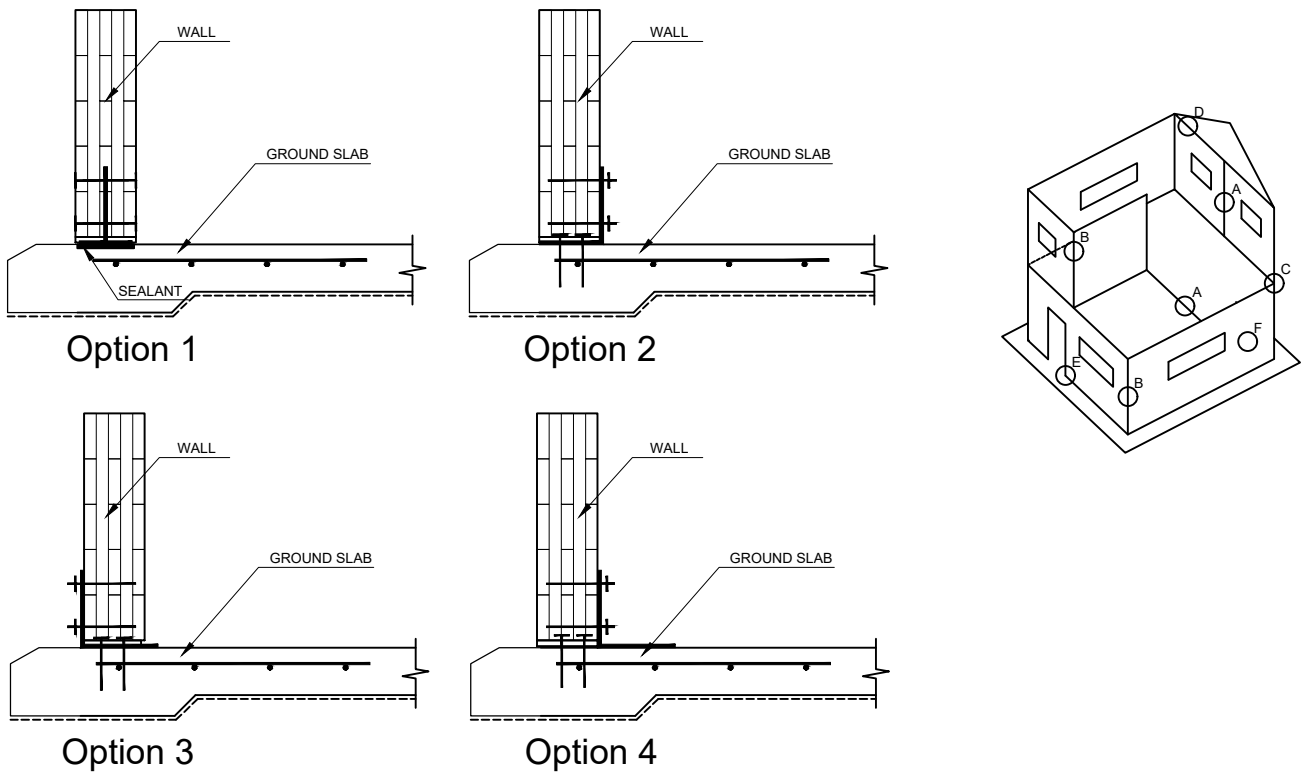
# CONNECTION DETAILS

## 1:20

### Detail D WALL TO ROOF



### Detail E WALL TO FOUNDATION



### METAL BRACKETS/PLATES

#### Detail F

