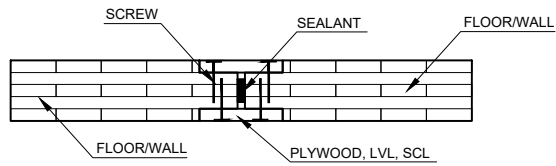


# CONNECTION DETAILS

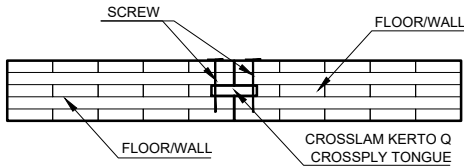
## 1:20

### Detail A PANEL TO PANEL



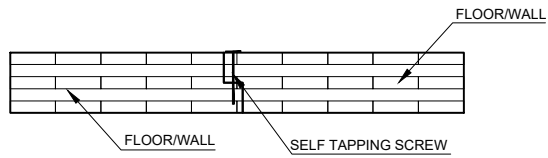
Option 1

Double surface spline



Option 2

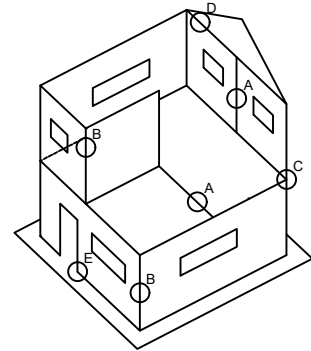
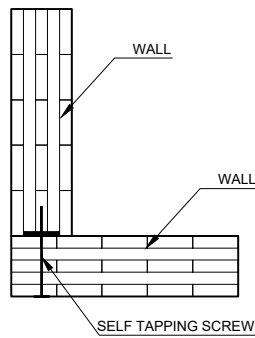
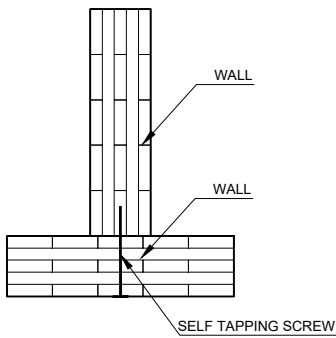
Single internal spline



Option 3

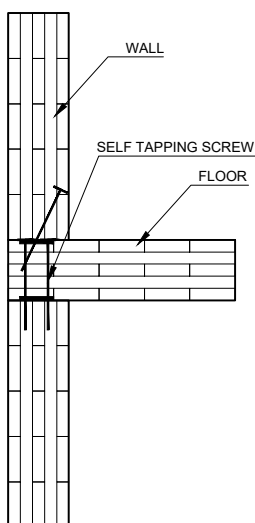
Half-lapped

### Detail B WALL TO WALL



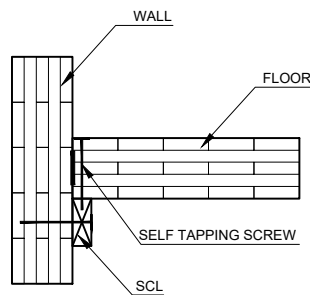
SELF TAPPING SCREWS

### Detail C WALL TO FLOOR



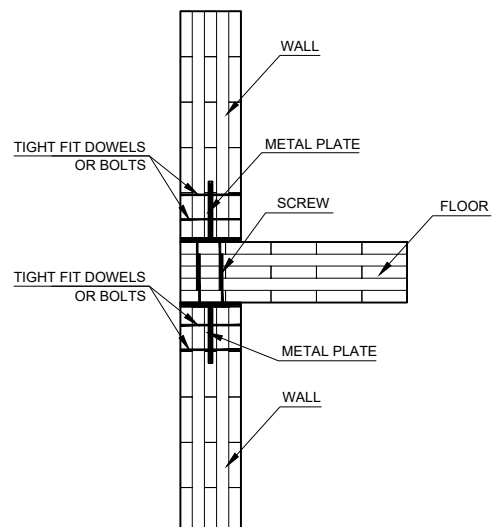
Option 1

SELF TAPPING SCREWS



Option 2

BALLOON TYPE



Option 3

INSERTED/ CONCEALED  
METAL PLATES